

FLUORESCENT



1000 Series *Rust Resistant, Vandal Resistant Wall Luminaire* 57 Watts Maximum

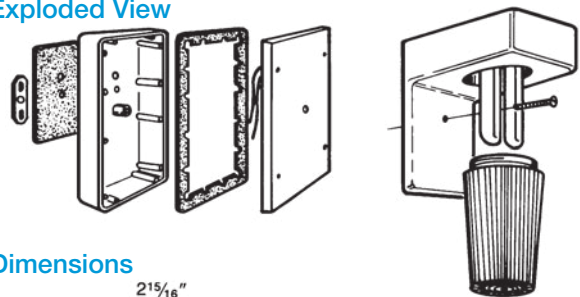
This wall bracket luminaire is as durable as it is attractive. Suitable for indoor/outdoor applications ranging from residential to commercial environments. Engineered with components and materials offering superb energy efficiency and the **highest resistance to rust, corrosion and impact**. The housing is totally nonconductive, assuring more safety to the end user. Ideally suited as security lighting for homes, schools, motels, hospitals, condominiums, and industrial, commercial, and government buildings.

Specifications

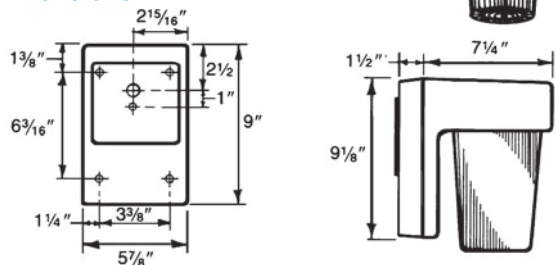
Lens:	Injection molded of UV-stabilized polycarbonate with threaded neck for twist-lock attachment. Average thickness is 1/8". Smooth exterior surface for ease of cleaning. Clear Prismatic, Opal White, Red, Green and Buglight Yellow are stock colors. Other colors available upon request.
Base Plate:	Rust resistant .080" 5052 H-32 tempered marine-grade aluminum.
Wall Bracket:	Injection molded in black, white, or bronze UV-stabilized, reinforced polycarbonate. Included.
Housing:	Injection molded in black, white, or bronze UV-stabilized, reinforced polycarbonate. Rear knockout for supply wire. Available with up to four 1/2" threaded conduit connections and plugs.
Gasket:	Closed cell neoprene rubber in 1/8" thickness creates a tight seal against moisture and contaminants.
Socket:	Two-pin or four-pin type with leads insulated for 105°C.
Lamp:	High-efficiency PL lamps offer up to ten times longer life and 70% energy savings over comparable incandescent lamps.
Ballast:	Class P, self-start preheat type in Normal Power Factor 120V or High Power Factor for 120V-277V. Optional Cold Weather (0°F) Ballast: consult factory for availability. PLT and QD available in Electronic.
Hardware:	Mounting hardware included.
Mounting:	Wall mounting only.



Exploded View



Dimensions



Shown With Opal White Lens



Shown With White Housing



**SBA QUALIFIED
SMALL BUSINESS MANUFACTURER**

TAA COMPLIANT
TRADE AGREEMENT ACT COMPLIANT

ETL-US and ETL-C Listed for Wet Locations

All polycarbonate components meet Underwriters Laboratories 746C tests for polymeric material and carry a flammability rating of 94HB or better on lenses and the superior 94-5V rating on housings.

Luminaire Type _____
 Catalog Number _____
 Job Name _____
 Approval _____

WF Harris Lighting, Inc.™

Innovative Lighting Designs Since 1970

P.O. Box 5023, Monroe, NC 28111-5023, USA
 704.283.7477 (HEADQUARTERS) • 800.842.9345 (TOLL FREE)
 e-mail: customerservice@wfarris.com
 www.wfharrislighting.com

Form 1554 5/19

"A Live Operator Company Standing Ready to Serve Your Lighting Needs"

FLUORESCENT

Ordering Information (Fill In Blanks For Complete Catalog Number)

1000	Model	Lens Color	Housing Color	Watts/Lamp	Power Factor	Volts	Options	Conduit Connections
Model	Lens Color	Housing Color	Watts/Lamp	Power Factor	Volts	Options	Conduit Connections	
1000	CP-Clear Prismatic	HK-Black	13 PL	NPF	120	PC-Photo Control (Specify Voltage)	CRS-Right Side ³	
	OW-Opal White	HB-Bronze	2-9 PL	HPF	120-277*	LL-Lens Lock (Two 1/4-20 S/S Set Screws Provided)	CLS-Left Side ³	
	BY-Buglight Yellow	HW-White	2-13 PL			GCO-Grounded Convenience Outlet ²	CT-Top ³	
	R-Red		26 PLC ¹			SW-B-On/Off Switch with Boot ²	CB-Bottom ³	
	B-Blue (Law Enforcement Only) ⁴		18 PLT* ¹			FS-Fuse and Holder	C4-Four Sides ³	
	G-Green		26 PLT* ¹			CW1-0°F Ballast For One PL Lamp - consult factory for availability		
			32 PLT* ¹			CW2-0°F Ballasts For Two PL Lamps - consult factory for availability		
			42 PLT* ¹					

*Electronic - All Electronic Ballasts are Class P Rated 50/60 Hz 120 thru 277

¹HPF Only

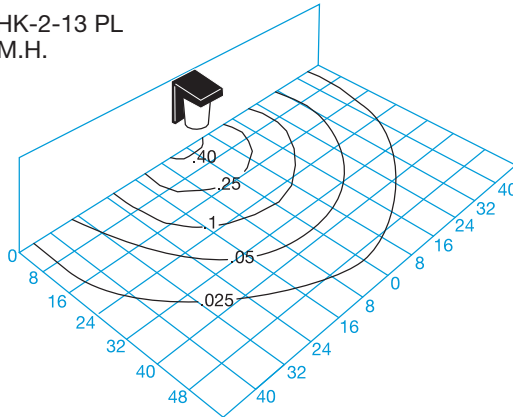
²Dry Location Use Only

³Positions Based on Facing Luminaire

⁴Consult Factory for Price and Availability

Light Distribution Patterns

Model 1000-CP-HK-2-13 PL
Wall Mounted 8' M.H.



Fluorescent Lamp Performance

	13 Watt Twin	2-13 Watt Twin	26 Watt PLC	18 Watt PLT	26 Watt PLT	32 Watt PLT	42 Watt PLT
Input Watts	17W	34W	26W	18W	26W	32W	42W
Initial Lumen Output	900	1,800	1,550	1,200	1,800	2,400	3,200
Lamp Life (Hours)	10,000	10,000	10,000	10,000	10,000	10,000	10,000
Min. Starting Temp.	32°F	32°F	0°F	0°F	0°F	0°F	0°F

Specifications Subject to Change Without Notice

Luminaire is Warranted to be Free of Defects in Materials and Workmanship for One Year From Invoice Date.

LENS AND HOUSING CARRY A LIFETIME WARRANTY.



**SBA QUALIFIED
SMALL BUSINESS MANUFACTURER**

TAA COMPLIANT
TRADE AGREEMENT ACT COMPLIANT

Conversion Table

Lamp	Lamp Conversion Factor (LCF)	Mounting Height	Height Conversion Factor (HCF)
13 PL	.50	6'	1.77
2-9 PL	.67	8'	1.00
2-13 PL	1.00	10'	.64
18 PLT	.75	12'	.45
26 PLT	1.125	14'	.32
32 PLT	1.5		
42 PLT	1.5		

Using Conversion Table

TO ADJUST FOOTCANDLES (FC) SHOWN IN DIAGRAMS AT LEFT, USE ONE OF THE FOLLOWING FORMULAS WITH LAMP CONVERSION FACTOR (LCF) AND HEIGHT CONVERSION FACTOR (HCF):

$FC \times LCF = FC$ with alternate lamp

$FC \times HCF = FC$ at alternate height

$FC \times LCF \times HCF = FC$ with alternate lamp at alternate height

W.F. Harris Lighting, Inc.™

Innovative Lighting Designs Since 1970

P.O. Box 5023, Monroe, NC 28111-5023, USA

704.283.7477 (HEADQUARTERS) • 800.842.9345 (TOLL FREE)

e-mail: customerservice@wfarris.com

www.wfharrislighting.com

"W. F. Harris Lighting Will Not Sacrifice Quality for the Sake of Price."