

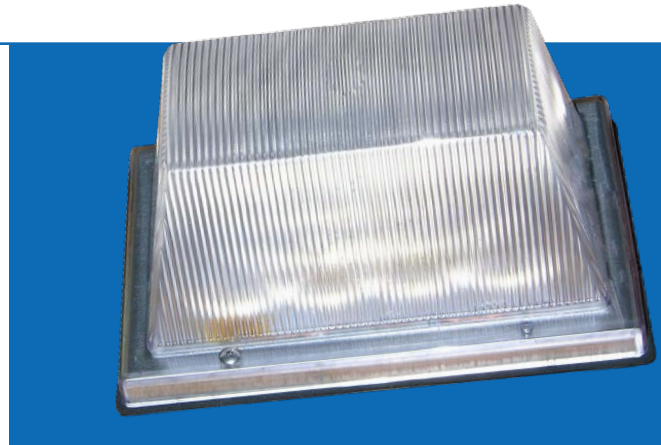
# INCANDESCENT



## 300 Series

*Rust Resistant Vandal-Resistant Wall/Ceiling Luminaire*  
 75 Watts Maximum-Ceiling  
 100 Watts Maximum-Wall

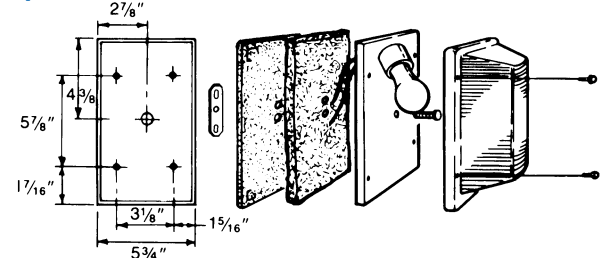
Designed for indoor/outdoor use where efficiency and style must compete with abuse by environmental elements or vandalism. **Rust resistant.** Engineered with materials offering the **highest resistance to rust, corrosion and impact.** The **polycarbonate** housing is nonconductive, assuring more safety to the end user. A wide selection of colors and options adds to the versatility of this fixture. Ideally suited as security lighting for homes, schools, motels, hospitals, condominiums, and industrial, commercial, and government establishments.



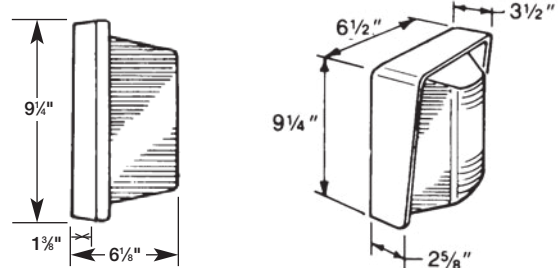
### Specifications

<b>Lens:</b>	Injection molded of UV-stabilized polycarbonate. Average thickness is $\frac{1}{8}$ ". Smooth exterior surface allows ease of cleaning.
<b>Base Plate:</b>	Rust resistant .080" 5052 H-32 tempered marine-grade aluminum.
<b>Housing: (optional):</b>	Injection molded in black, white or bronze UV-stabilized, reinforced <b>polycarbonate</b> . Rear knockout for supply wire. Available with up to four threaded connections and plugs suitable for $\frac{1}{2}$ " conduit.
<b>Thermal Insulation:</b>	One-pound density fiberglass pad controls temperature rise in junction box and surface area.
<b>Gasket:</b>	Closed-cell neoprene rubber in $\frac{1}{8}$ " thickness creates a tight seal against moisture and contaminants.
<b>Socket:</b>	Medium-base ceramic with nickel-plated copper screw shell, rated 250V, 660W, with leads insulated for 105°C.
<b>Lamp:</b>	Uses Type A-19 incandescent lamp. Provided by others.
<b>Mounting:</b>	Ceiling or <b>vertically with lamp base up.</b>
<b>Hardware:</b>	Four stainless-steel 8-32 phillips truss head screws or tamperproof screws attach lens to base plate. Mounting crossbar, threaded nipple, and nut are provided.

### Exploded View



### Dimensions

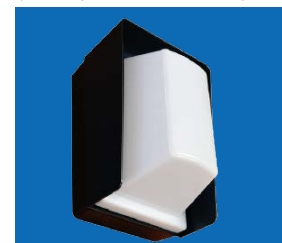


(With Optional Housing)

(With Optional Decor Pack)



Shown With Optional Housing



Shown With Optional Decor Pack



**SBA QUALIFIED  
 SMALL BUSINESS MANUFACTURER**

**TAA COMPLIANT**  
 TRADE AGREEMENT ACT COMPLIANT

ETL Listed For Wet Locations.

All polycarbonate components meet Underwriters Laboratories 746C tests for polymeric material and carry a flammability rating of 94HB or better on lenses and the superior 94-5V rating on housings.

Luminaire Type \_\_\_\_\_  
 Catalog Number \_\_\_\_\_  
 Job Name \_\_\_\_\_  
 Approval \_\_\_\_\_

## WF Harris Lighting, Inc.™

**Innovative Lighting Designs Since 1970**

P.O. Box 5023, Monroe, NC 28111-5023, USA  
 704.283.7477 (HEADQUARTERS) • 800.842.9345 (TOLL FREE)  
 e-mail: customerservice@wfarris.com  
 www.wfharrislighting.com


Form 1513 7/19

*"A Live Operator Company Standing Ready to Serve Your Lighting Needs"*

# INCANDESCENT

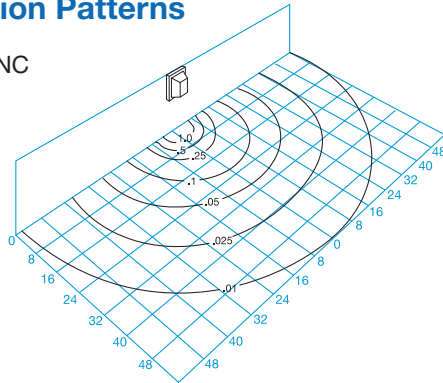
Ordering Information (Fill In Blanks For Complete Catalog Number)

300				
Model	Lens	Lamp	Options	Conduit Connections (Housing Required)
Model	Lens Color	Lamp	Options	
300	<b>CP</b> - Clear Prismatic <b>OW</b> - Opal White <b>BY</b> - Buglight Yellow <b>A</b> - Amber <b>G</b> - Green	<b>INC<sup>1</sup></b> (75W Ceiling Max.) (100W Wall Max.)	<b>PC</b> - Photo Control <sup>2</sup> <b>TPS</b> - Tamperproof Screws <b>3H</b> ___ - 1-1/2" Deep Housing – specify K (Black), W (White) or B (Bronze) <sup>3</sup> <b>D3H</b> ___ - 3" Deep Housing – specify K (Black), W (White) or B (Bronze) <sup>3</sup> <b>DPB</b> ___ - Polycarbonate Vertical Decor Pack – specify K (Black), W (White) or B (Bronze) <b>GCO</b> - Grounded Convenience Outlet <sup>2, 4</sup> <b>SW/B</b> - On/Off Switch with Boot <sup>2</sup>	<b>CRS</b> - Right Side <b>CLS</b> - Left Side <b>CT</b> - Top <b>CB</b> - Bottom <b>C4</b> - All Four Sides (Positions Based on Facing Luminaire) <sup>1</sup> Provided By Others <sup>2</sup> Housing Required <sup>3</sup> Specify Conduit Connection(s) <sup>4</sup> Interior Use Only

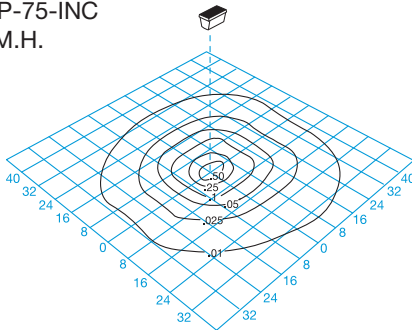
**Accessories (Order Separately)**   
**TPT** - Tamperproof Screwdriver

## Light Distribution Patterns

**Model 300-CP-75-INC**  
Based On 8' M.H.



**Model 300-CP-75-INC**  
Based On 8' M.H.



**LENS AND HOUSING PLATE CARRY A LIFETIME WARRANTY.**

Specifications Subject to Change Without Notice

Luminaire is Warranted to be Free of Defects in Materials and Workmanship for One Year From Invoice Date.

© 2019 W. F. Harris Lighting, Inc.

## Conversion Table

Lamp	Lamp Conversion Factor	Mounting Height	Height Conversion Factor
100 INC	1.39	6'	1.77
75 INC	1.00	8'	1.00
60 INC	.65	10'	.64
		12'	.45

### Using Conversion Table

TO ADJUST FOOTCANDLES (FC) IN DIAGRAMS AT LEFT, USE FOLLOWING FORMULA WITH LAMP CONVERSION FACTOR (LCF) AND HEIGHT CONVERSION FACTOR (HCF):

$$FC \times LCF = FC \text{ with alternate lamp}$$

$$FC \times HCF = FC \text{ at alternate height}$$

$$FC \times LCF \times HCF = FC \text{ with alternate lamp at alternate height}$$



**SBA QUALIFIED SMALL BUSINESS MANUFACTURER**

**TAA COMPLIANT**  
TRADE AGREEMENT ACT COMPLIANT

# W.F. Harris Lighting, Inc.™

**Innovative Lighting Designs Since 1970**

P.O. Box 5023, Monroe, NC 28111-5023, USA

704.283.7477 (HEADQUARTERS) • 800.842.9345 (TOLL FREE)

e-mail: customerservice@wfarris.com

www.wfharrislighting.com

Printed in USA

Form 1513

7/19

*W. F. Harris Lighting Will Not Sacrifice Quality for the Sake of Price.™*