

LED LONG THROW WALLPACK

Model 1200-WP-LED-5K-LT

RUSTPROOF • VANDAL RESISTANT
NON-CONDUCTIVE



APL: 24A160003, NSN: 6220-01-652-8649

Vandal resistant, non-conductive LED wallpack provides efficient, effective, and safe illumination. This Model 1200 Long Throw Wallpack meets the challenging issues of indoor/outdoor (Wet Location) applications.

Polycarbonate lens and housing are non-conductive and self-extinguishing to assure more safety to the end user. In ambient temperatures, this unit operates between -40°C (-40°F) and 40°C (104°F). The luminaire utilizes high quality LEDs and Driver to further enhance reliability and durability while reducing power consumption.

This luminaire is ideal for normal and challenging locations requiring rugged, corrosion-resistant, brilliant and dependable lighting sources like in coastal areas, military and office buildings, apartments and condominiums, government installations, and other areas needing highly vandal resistant and reliable illumination.

Wallpack utilizes high quality LEDs and Driver to further enhance reliability and durability while reducing power consumption.

LEDs contain no mercury and emit no ultraviolet light.

LEDs will not break, unlike conventional lamps, if wallpack is dropped.

Specifications

Lens:	Injection molded UV-stabilized frosted clear polycarbonate in an average thickness of .125". Diffused lumen output. Lens trim is bronze high-temperature, weather-resistant polyurethane paint. Smooth exterior surface allows ease of cleaning and rounded corners increase impact strength and user safety.
Base Plate:	Rustproof .080" 5052 H-32 tempered marine-grade aluminum.
Housing:	Injection molded UV-stabilized reinforced bronze polycarbonate . Rounded corners increase impact strength and user safety. Rear knockout for supply wire.
Gasket:	Closed-cell neoprene rubber in .125" thickness creates a tight seal against contaminants.
LEDs:	High Quality Lighting Grade White LEDs Long-Throw Illumination - Luminaire with Long Throw 30° Downward Angle from Vertical Light Angle 5,000K Color Temperature. Net Lumens = 5000 Power = 45 W Efficacy = 111 Lm/W Warranted for five (5) years.



LED Life: **Lumen Maintenance** (TM-21-11 70% Projection)
305,000 Hrs (25°C/77°F) = **34 years of 24/7 LED life**
110,000 Hrs (50°C/122°F) = **13 years of 24/7 LED life**
Calculations Based on US Department of Energy Worksheet. DOE TM-21-11, 70%.

Driver: High Quality Driver
Class 2 Power Supply. AC Input: 120-277V, 60 Hz.



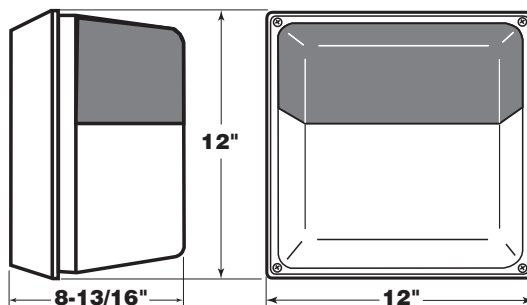
Complies with FCC rules and regulations, as per Title 47 CFR Part 15 Non-Consumer (Class A) for EMI/RFI (conducted and radiated) at full load.
Warranted for five (5) years by Driver manufacturer.

Hardware: Four (4) stainless-steel 8-32x3/8 phillips truss head screws attach lens to base plate. Four (4) zinc-plated steel 1/4-15x3/4 phillips pan head screws attach base plate to housing. Mounting hardware included.

LENS AND HOUSING CARRY A LIFETIME WARRANTY AGAINST BREAKAGE.

Specifications Subject to Change Without Notice.

Dimensions



**SBA QUALIFIED
SMALL BUSINESS MANUFACTURER**

TAA COMPLIANT
TRADE AGREEMENT ACT COMPLIANT

ETL-US and ETL-C Listed for Wet Location Applications (UL1598)
LM-79 and LM-80 Test Data Available

All polycarbonate components meet Underwriters Laboratories 746C tests for polymeric material and carry a flammability rating of 94HB or better on lenses and the superior 94-5V rating on housings.

WF Harris Lighting, Inc.

Innovative Lighting Designs Since 1970

P.O. Box 5023, Monroe, NC 28111-5023, USA

704.283.7477 (HEADQUARTERS) • 800.842.9345 (TOLL FREE)

e-mail: customerservice@wfarris.com

www.wfharrislighting.com